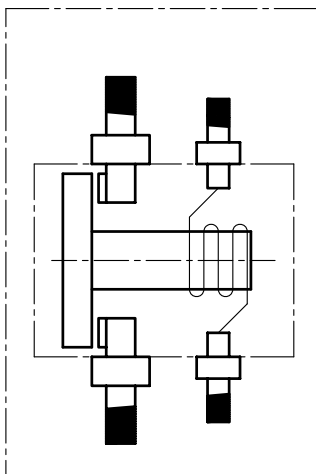
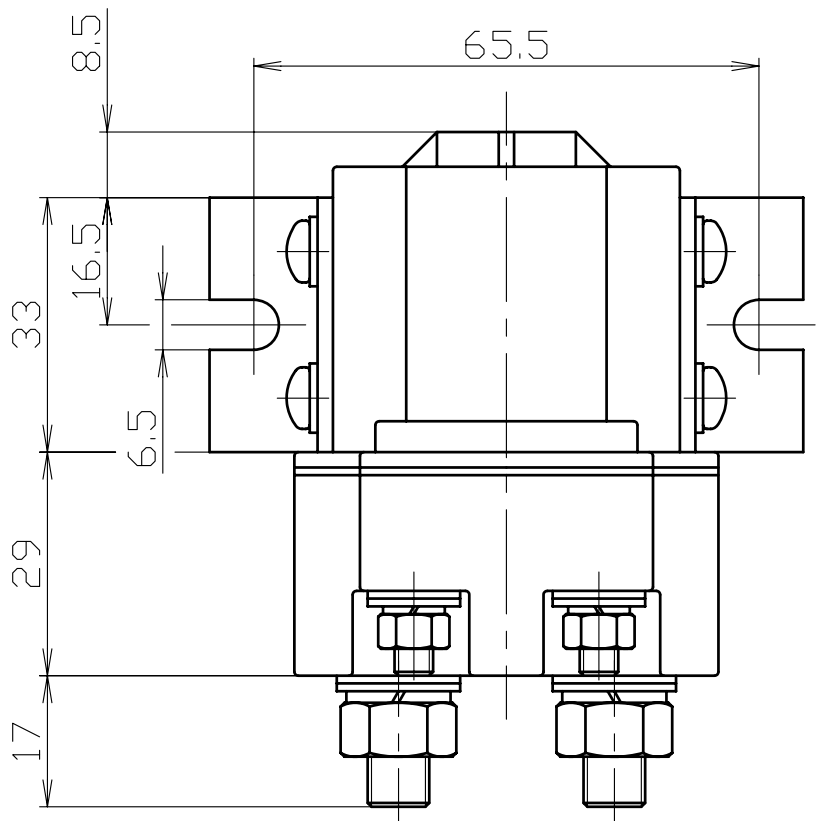
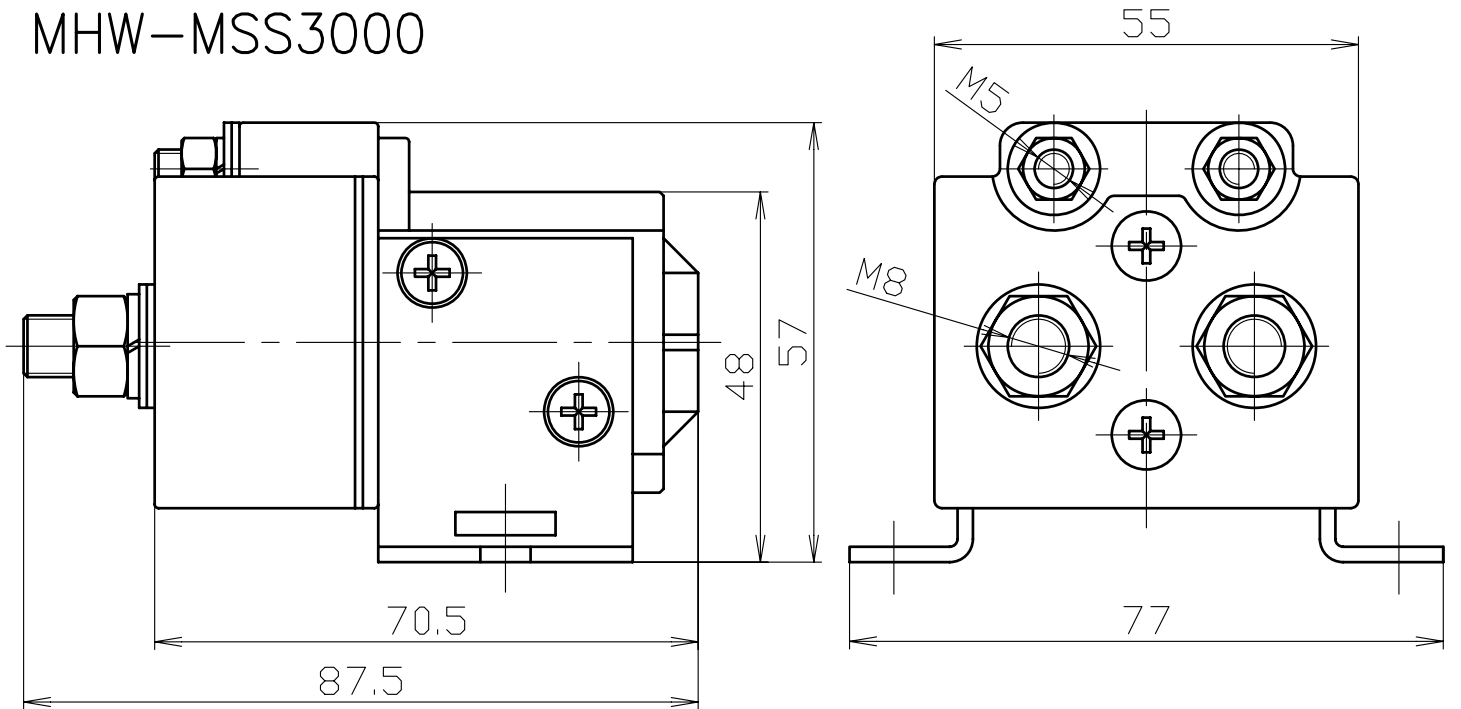


MAGNETSTARTSCHALTER 12V STARTER SWITCH

MHW-MSS3000



12 Volt
 25% DUTY CYCLE
 600 AMP MAKE - MAX INDUCTIVE CURRENT CAPABILITY
 250 AMP BREAK - MAX INDUCTIVE CURRENT CAPABILITY
 200 AMP RUNNING - MAX INDUCTIVE CURRENT CAPABILITY
 2 VDC - MAX DROP OUT VOLTAGE
 8 VDC - MAXIMUM PULL IN VOLTAGE
 PROTECTING RATE IP65
 TEMPERATURE RANGE -30°C/+60°C
 TERMINALS OF POWER CIRCUIT M8 (MAX 9NM)
 TERMINALS OF CONTROL CIRCUIT M5 (MAX 2NM)
 POWER ABSORBED BY COIL 28W

M1:1

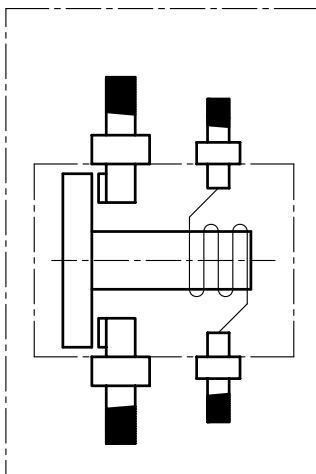
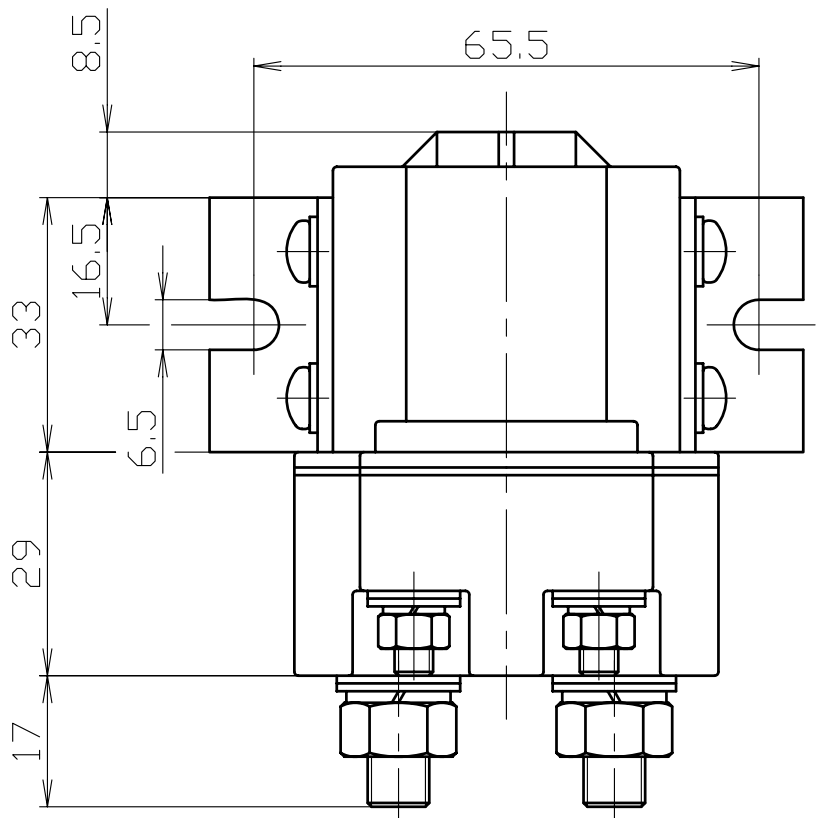
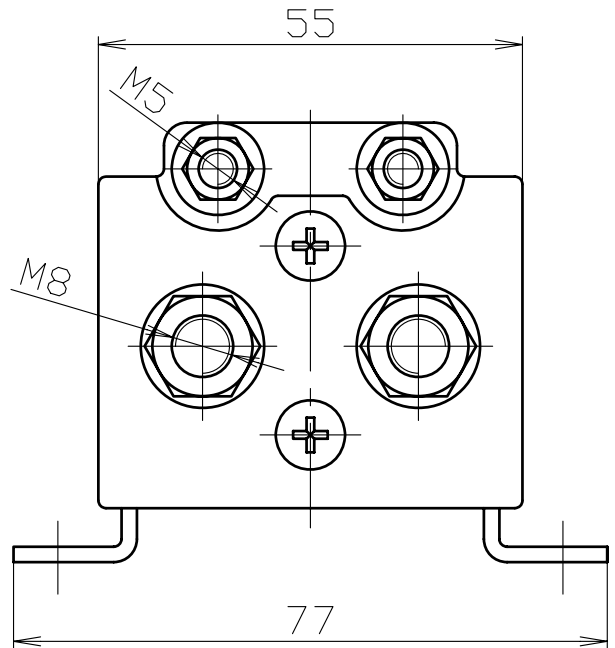
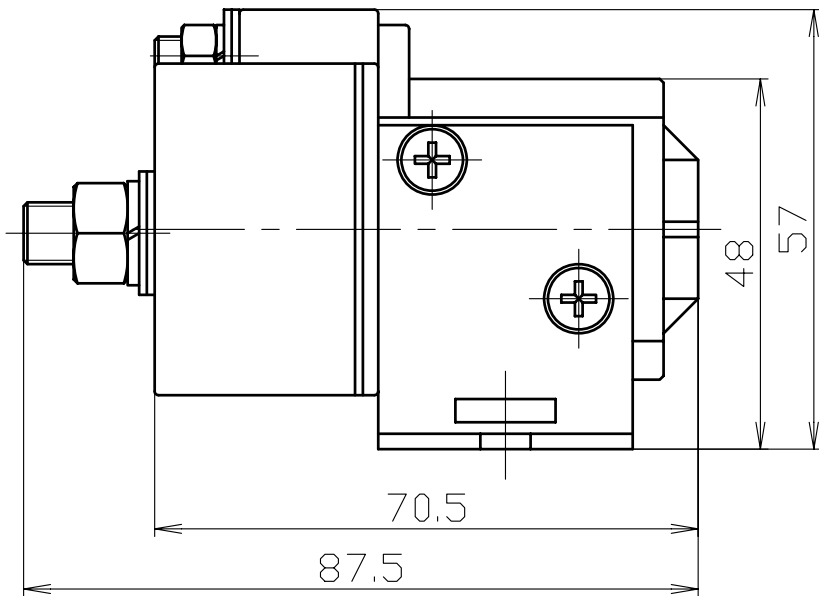
MHW
 MODUL HYDRAULIK WEBER

02.09.2015

PFAD: ZEICHNUNGEN
 MAGNETSTARTSCHALTER

MAGNETSTARTSCHALTER 24V STARTER SWITCH

MHW-MSS3000



24 Volt
 25% DUTY CYCLE
 900 AMP MAKE - MAX INDUCTIVE CURRENT CAPABILITY
 250 AMP BREAK - MAX INDUCTIVE CURRENT CAPABILITY
 200 AMP RUNNING - MAX INDUCTIVE CURRENT CAPABILITY
 4 VDC - MAX DROP OUT VOLTAGE
 18 VDC - MAXIMUM PULL IN VOLTAGE
 PROTECTING RATE IP65
 TEMPERATURE RANGE -30°C/+60°C
 TERMINALS OF POWER CIRCUIT M8 (MAX 9NM)
 TERMINALS OF CONTROL CIRCUIT M5 (MAX 2NM)
 POWER ABSORBED BY COIL 28W

M1:1

MHW
 MODUL HYDRAULIK WEBER

02.09.2015

PFAD: ZEICHNUNGEN
 MAGNETSTARTSCHALTER